

# GRS

## Impeller with grinder system

All product images are indicative only



### General characteristics

Impeller with grinder system	
motor power	0,9 kW
poles	2
discharge	GAS 1½"-DN32 horizontal
free passage	-
max flow rate	4.3 l/s
max head	20.4 m

### Electromechanical assembly

Electromechanical assembly in GJL-250 cast iron, for submerged operation. Seal set comprising 1 (one) silicon carbide mechanical seal and 1 (one) lip seal. Ecological dry motor. Pump body in single casting with motor casing.

### Applications

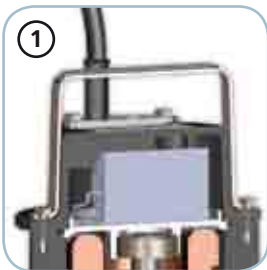
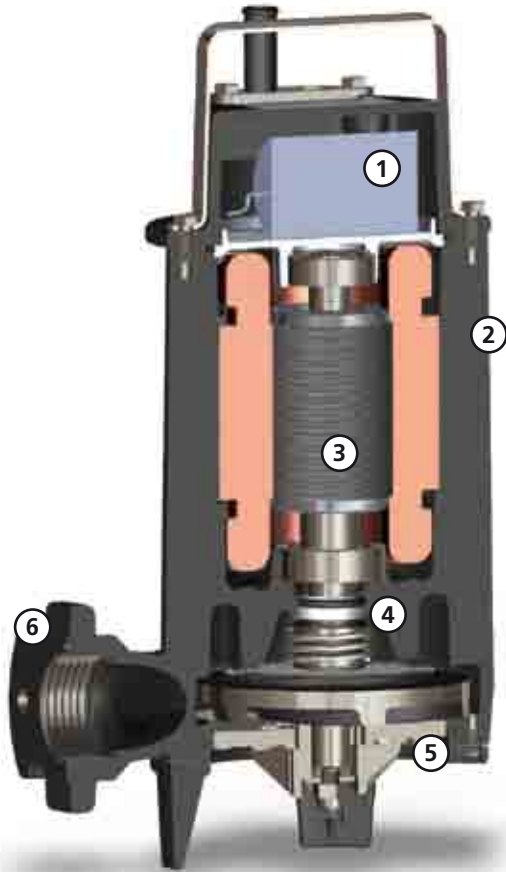
Suitable for lifting soiled wastewaters containing filaments or fibres, and unstrained household sewage in general.

### Construction materials

Case	Cast iron EN-GJL 250
Impeller	Cast iron EN-GJL-250
Nuts and bolts	Stainless steel - Class A2-70
Standard gasket	Rubber - NBR
Cutter material	Chromium steel - X102 CrMo17 KU
Cutting disk material	Chromium steel - X102 CrMo17 KU
Shaft	Stainless steel - AISI 420
Paint type	Ecological bicomponent epoxy (medium thickness 80 µm)
Set of standard mechanical seals	One silicon carbide mechanical seal (SiC) and one lip seal

### Operating limits

Maximum operating temperature	40 °C
PH of treated fluid	6 ÷ 14
Viscosity of treated fluid	1 mm <sup>2</sup> /s
Maximum immersion depth	20 m
Density of treated fluid	1 Kg/dm <sup>3</sup>
Maximum acoustic pressure	70 dB
max starts per hour	30



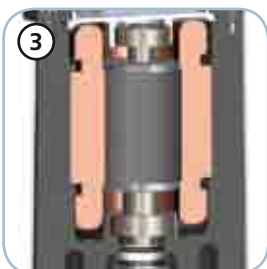
**Capacitor/relay**

Single-phase models with internal capacitor and control cabinet with circuit breaker capacitor and overload protection. Three-phase models with motor protection relay.



**Structure**

Constructed in GJL-250 cast iron.



**Motor**

Ecological dry motor with thermal protections.



**Mechanical seals**

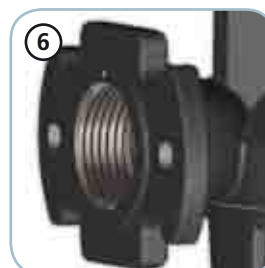
One mechanical seal in silicon carbide (SiC) and one lip seal.



**Grinder system**

Grinder system comprising a revolving cutter and a plate with holes with sharpened edges that fine-chops filaments, preventing fouling of the impeller.

Up to 69.000 cuts per minute



**Discharge**

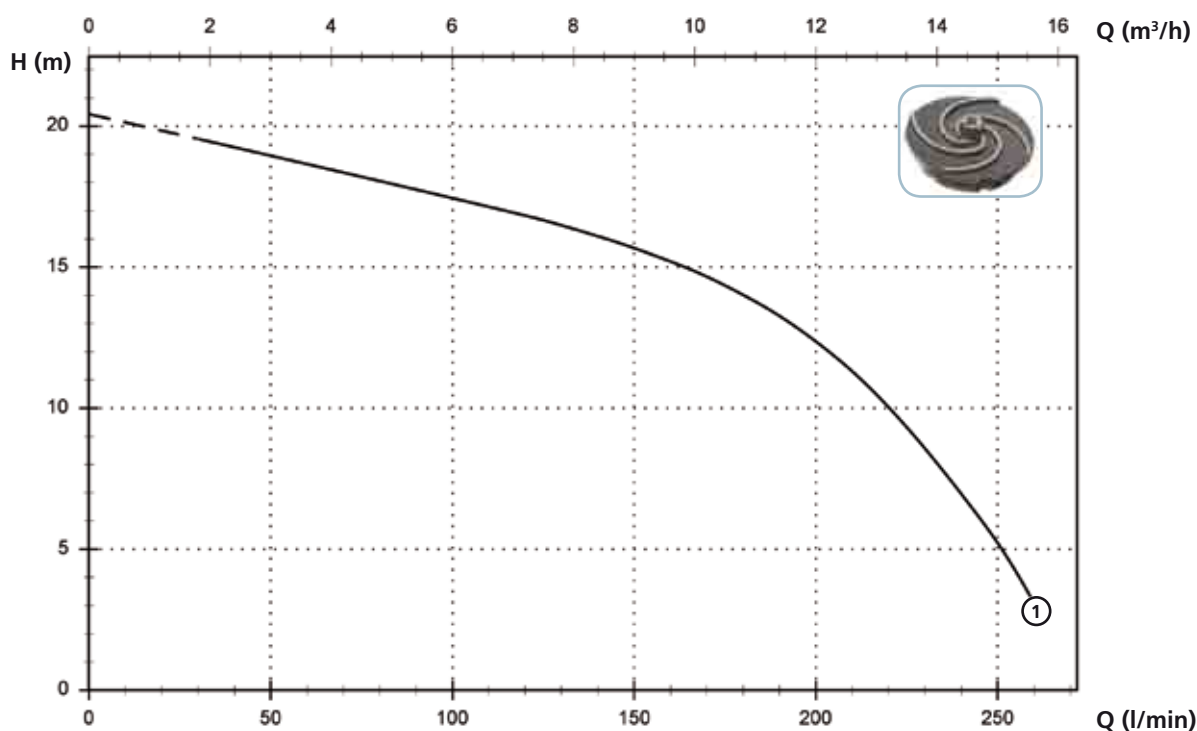
Threaded, flanged discharge for the maximum ease of installation.

# GRS

## Models with horizontal GAS 1½" threaded - DN32 PN6 flanged discharge - 2 poles

### Performances

	l/s	0	1	2	3	4
	l/min	0	60	120	180	240
	m³/h	0	3.6	7.2	10.8	14.4
① GRS 100/2/G40H A0CM(T)/50		20.4	18.7	16.8	14.0	7.0



### Technical data

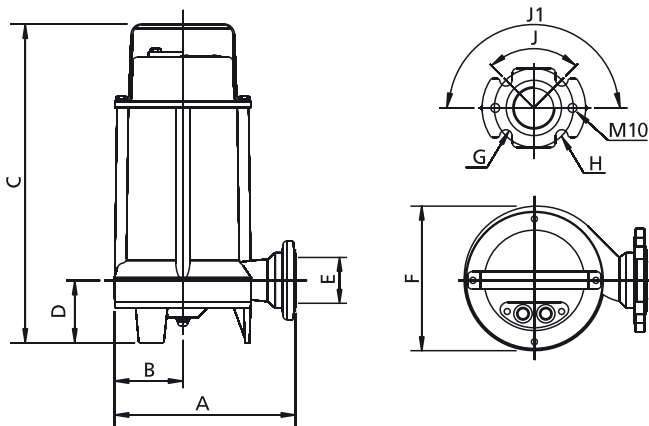
	V	Phases	P1 (kW)	P2 (kW)	A	Rpm	Start	Ø	Free passage
① GRS 100/2/G40H A0CM/50	230	1	-	0.9	6.6	2900	Dir	G 1½"-DN32 PN6	-
① GRS 100/2/G40H A0CT/50	400	3	-	0.9	2.3	2900	Dir	G 1½"-DN32 PN6	-

**Versions available**

(Key to versions on page 16)

	Electrical variants										Cooling			Mechanical seals					
	N A E	T C	T C D	T C D T	T C D G T	T C G	T C S T	T C S G T	T S	T R	T R G	N	CC CCE	FT	C G F T	2SIC	SICM	SICAL	2SICAL
GRS 100/2/G40H A0CM/50				●	●						●						●		
GRS 100/2/G40H A0CT/50									●	●	●						●		

**Overall dimensions and weights**



	A	B	C	D	E	F	G	H	J	J1	kg
GRS 100/2/G40H A0CM(T)/50	205	80	365	70	G 1 1/2"	165	14	90	90°	180°	21

Dimensions in mm

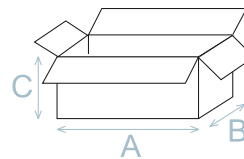
All weights and dimensions are indicative only

**Packaging dimension**

	A	B	C
GRS 100/2/G40H A0CM(T)/50	385	225	245

Dimension in mm

All weights and dimensions are indicative only



**Installations available**

